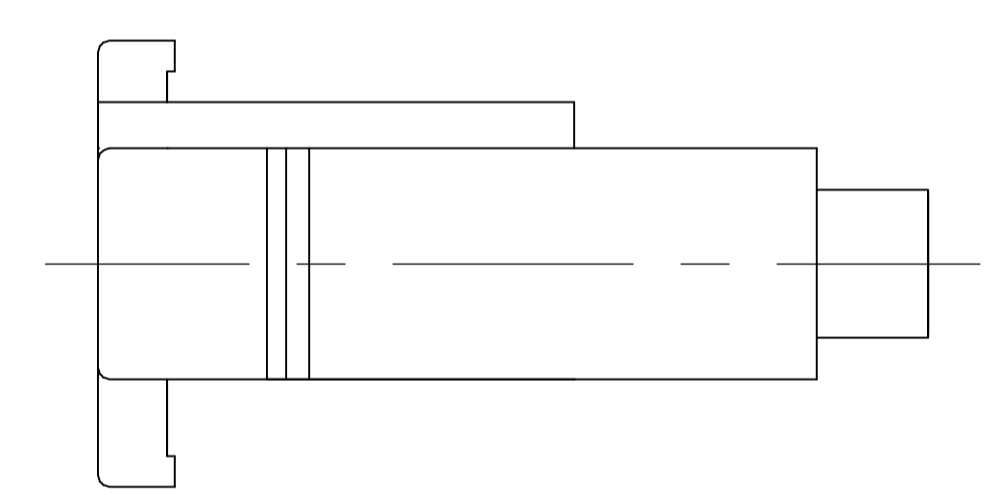
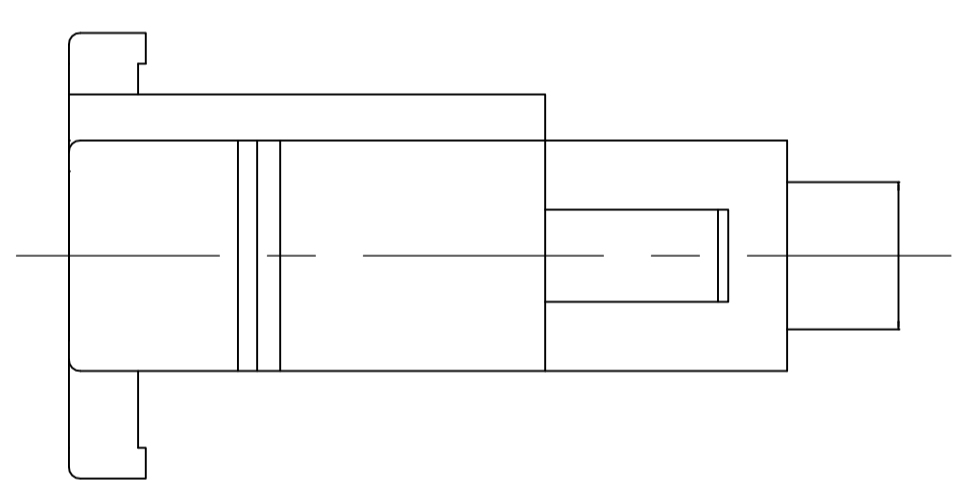
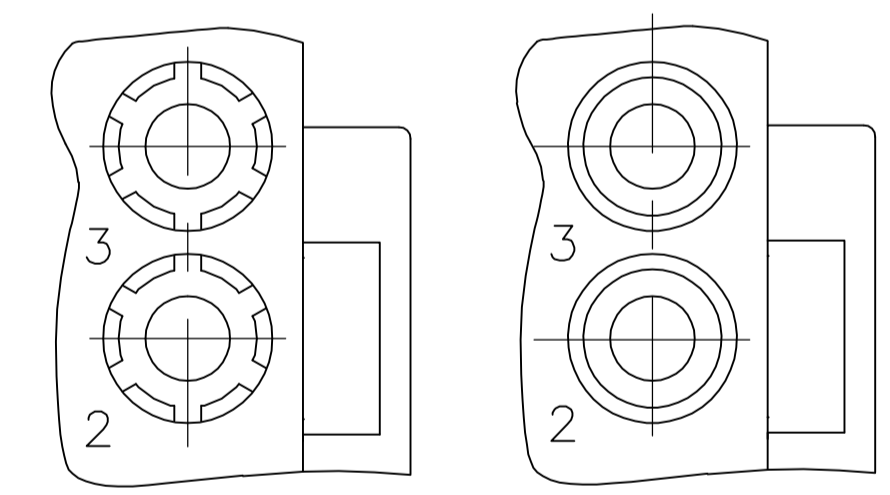


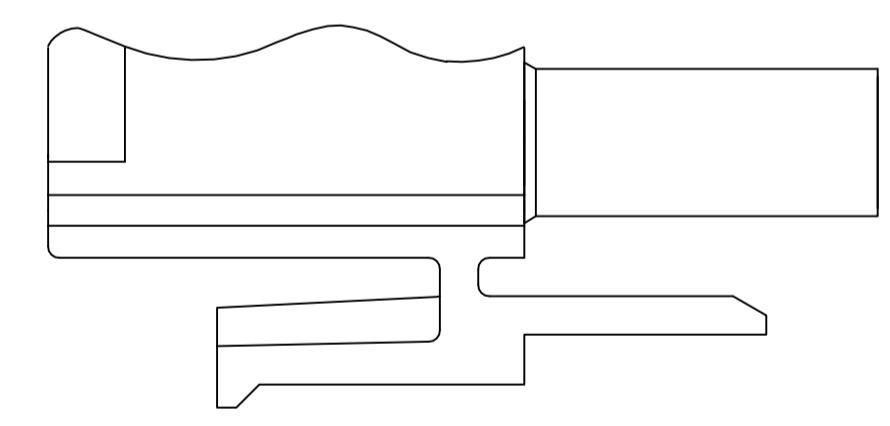
- MATES WITH APPROPRIATE UNIVERSAL MATE-N-LOK™ CAP OR HEADER.
- SMALL NICKS ARE PERMITTED ON THE CIRCUIT TOWERS WHICH COULD INCREASE THE INITIAL HOUSING MATING FORCE BY UP TO 4.4 NEWTONS [1.0 LBS]. NO INDIVIDUAL NICKED TOWER SHALL INCREASE THIS FORCE BY OVER 2.2 NEWTONS [.5 LBS].
- △ DIMENSION INDICATED IS AS MOLDED. ADDITIONAL GROWTH DUE TO SUBSEQUENT MOISTURE ABSORPTION MAY OCCUR.
- △ FOUR RIBS EQUALLY SPACED, NO SPECIFIC ORIENTATION. NO RIBS OR SIX RIBS EQUALLY SPACED, NO SPECIFIC ORIENTATION, OPTIONAL.
- △ NOT MANUFACTURED IN U.S.
- △ UNDERWRITERS RECOGNIZED COMPONENT LOGO AND CSA CERTIFICATION LOGO TO BE LOCATED ONCE EACH ON SIDE OF HOUSING.
- △ TRADEMARK LOCATION (AMP OR TYCO).
- △ MANUFACTURING LOCATION ID (OPTIONAL).



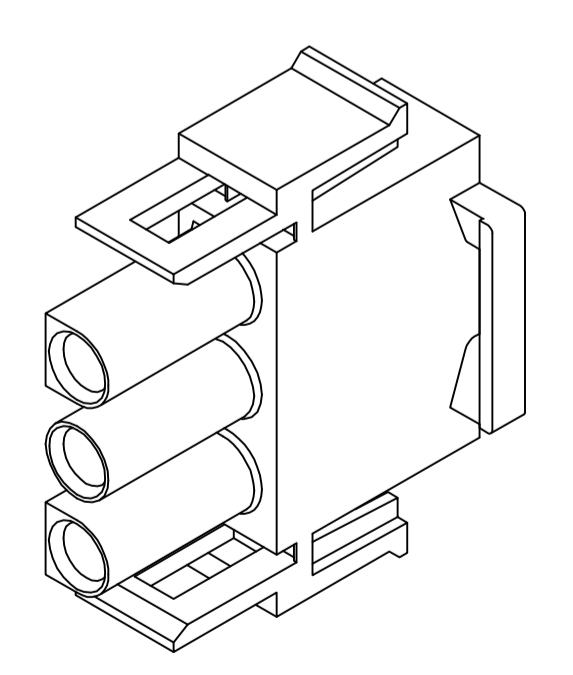
VIEW A-A  
350766-4 ONLY



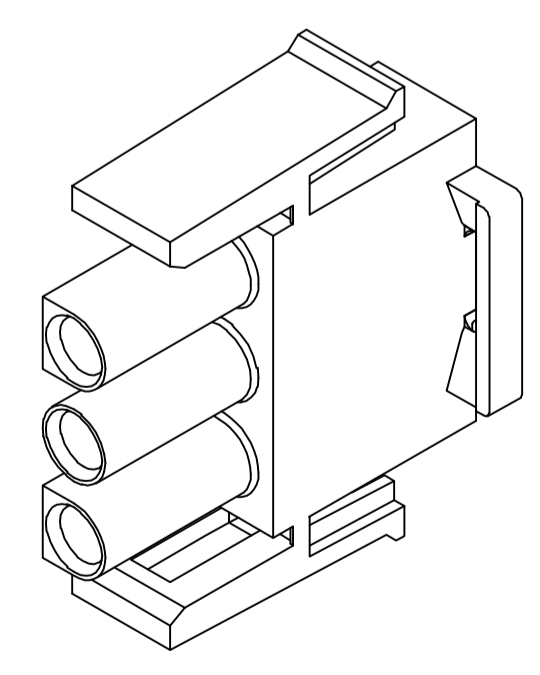
DETAIL A  
OPTIONAL CONSTRUCTION



DETAIL B  
350766-4 ONLY



350766-4 3-DIMENSIONAL MODEL  
NTS

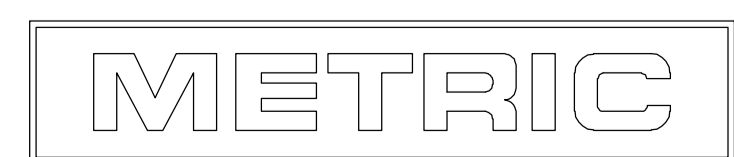


3-DIMENSIONAL MODEL  
NTS

BLACK	1-350766-9
GRAY	1-350766-8
BLUE	1-350766-6
GREEN	1-350766-5
YELLOW	1-350766-4
ORANGE	1-350766-3
RED	1-350766-2
BROWN	1-350766-1
△	350766-4
△	350766-2
NATURAL	350766-1
COLOR	PART NUMBER

27.43	1.080
20.32	.800
14.73	.580
11.68	.460
7.62	.300
0.38	.015
0.13	.005
MM	IN

CONVERSION TABLE



THIS DRAWING IS A CONTROLLED DOCUMENT.

DIMENSIONS:	TOLERANCES UNLESS OTHERWISE SPECIFIED:	DWN	K. WHITAKER	070CT05		Tyco Electronics Corporation Harrisburg, Pa 17105-3608
mm	0 PLC ± - 1 PLC ± - 2 PLC ± 0.13 [.005] 3 PLC ± - 4 PLC ± - ANGLES ± 0.30°	CHK	S. RIDGILL	070CT05		NAME
		APVD	S. RIDGILL	070CT05	PRODUCT SPEC	
MATERIAL NYLON, UL 94V-0		FINISH	-	APPLICATION SPEC	SIZE	A1
		WEIGHT	-	RESTRICTED TO	CAGE CODE	00779
		CUSTOMER DRAWING		SCALE	4:1	SHEET 1 of 1
				DRAWING NO	350766	REV Y2